

[Features]

- Provides 6 points AI · 6 points Relay · 6 points AO output , or 10 points DI (selectable)
- Installation: aluminum rails or wall mounting type
- High humidity and harsh environments applicable(IP65)
- Communication interface RS-232/485 and Ethernet
- Base board fit to insert cards of AI / DI / AO / DO



IP65 waterproof wall mounting type



Aluminum rails type

[Applications] : Medical refrigerator, plant factory, environmental measurement, and data collection

[Optional]

E - code1 - code2 - code3

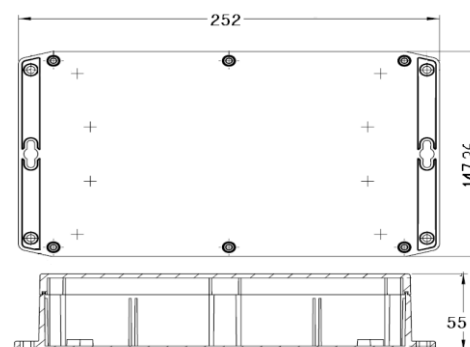
code1	Signal	code2	Method of Installation	code3	Record mode
N168	Base board	A	Aluminum rails	N	None
AI 168	AI x 6 CH				
DI 168	DI x 10 CH				
AO 168	AO x 6 CH	I	IP65 waterproof wall mounting	D	USB record module (4GB USB/form software)
DO 168	DO x 6 CH				

[Specifications]

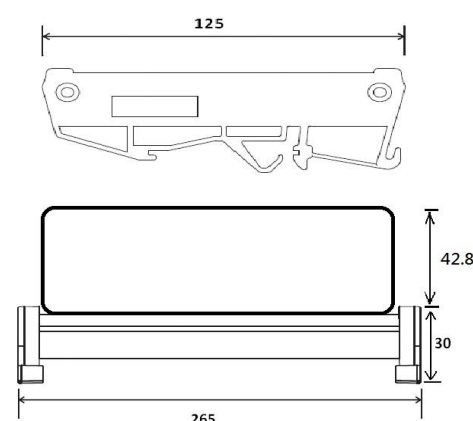
Model	Aluminum rails	Waterproof WM
Power	12~36VDC, power consumption 10W	
Alarm Output	Relay output	1 point
	Relay capacity	10A/250VAC ※loading with Relay
Communication	Interface	RS-485 /RS-232*1 port (JUMP1 of 2) RS-485 *1 port
	Protocol	Modbus RTU
	Ethernet	RJ-45 Ethernet with Web Services system, protocol Modbus TCP
Input (Optional)	Input(AI)	6 points
	Input signal	4-20mA (Jump with electricity) , 0-5V, PT100, T/C, mV
	Input(DI)	10 points
Output (Optional)	Output(AO)	6 points
	Output signal	4-20mA, 0-5V, 0-20mA,0-10V,0-24mA
	output(DO)	6 points
Physical conditions	Dimension(mm)	265x125x72.8 (W x H x D) 252X147.36X55 (W x H x D)
	Installation	Aluminum rails Wall mounting
	Weight	< 0.7kg
Record (Optional)	USB record, maximum to 64GB	
Certificate	FCC PART 15B AND CISPR 22 Class B · EN55022:2010:Class B · EN61326-1:2006 · IEC61000-4-2:2008 · IEC61000-4-3:2006+A1:2007+A2:2010	

[Dimension] mm

- Waterproof wall mounting type



- Aluminum rails type



265